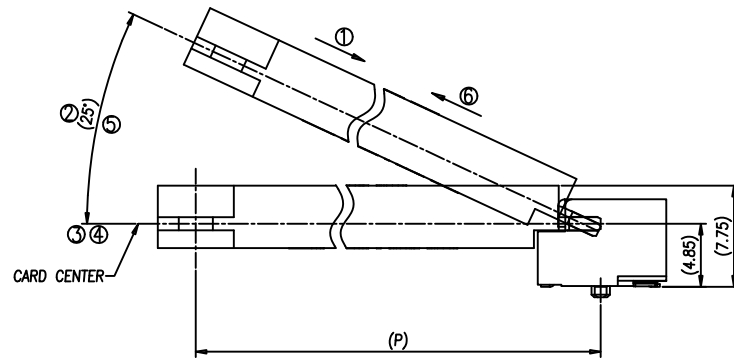
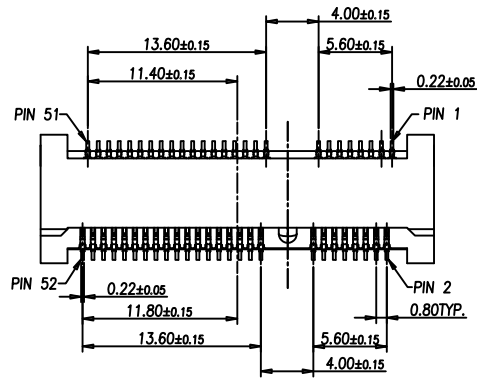
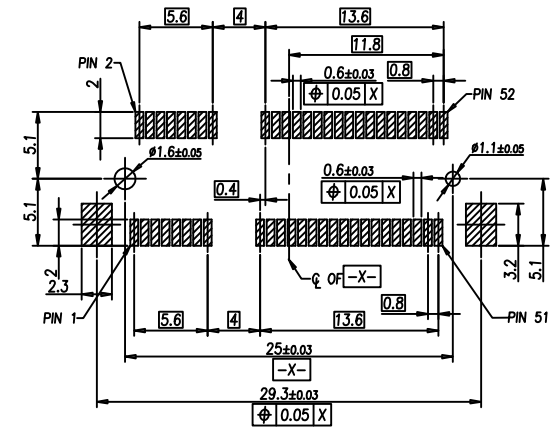


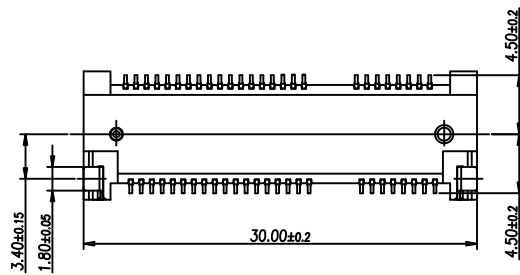
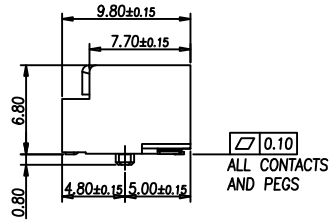
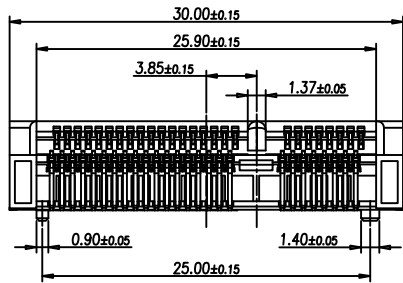
更改 REV	修改 MODIFICATION
A	ECXXXX



MATING: ① INSERTING(25°) → ② ROTATING → ③ FIXED  
 UNMATING: ④ UNFIXED → ⑤ ROTATING → ⑥ WITHDRAWING

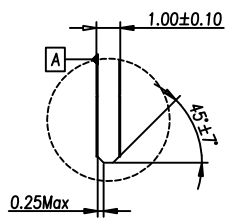
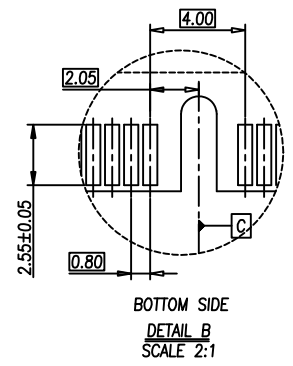
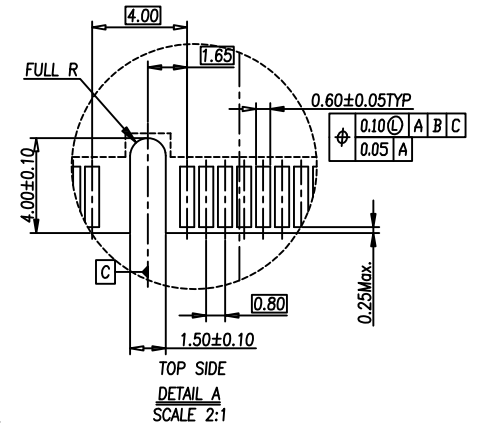
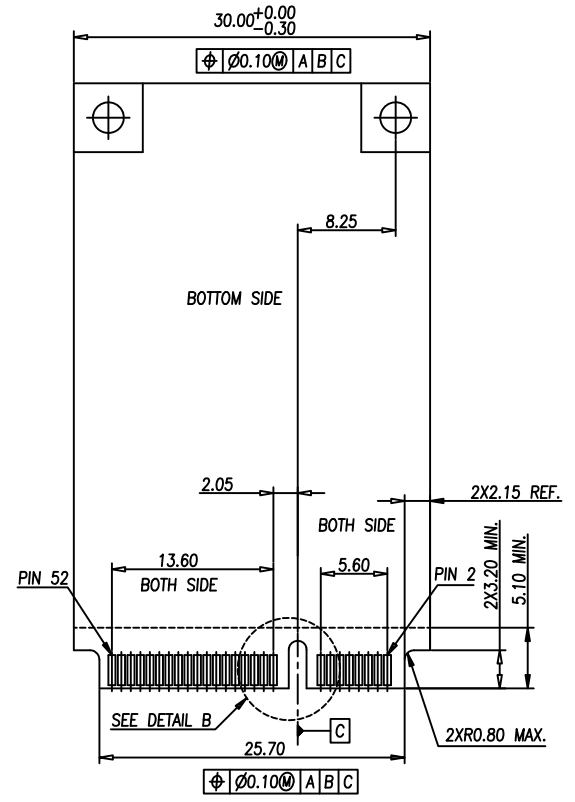
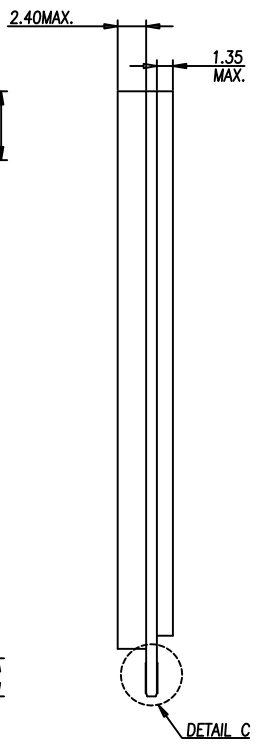
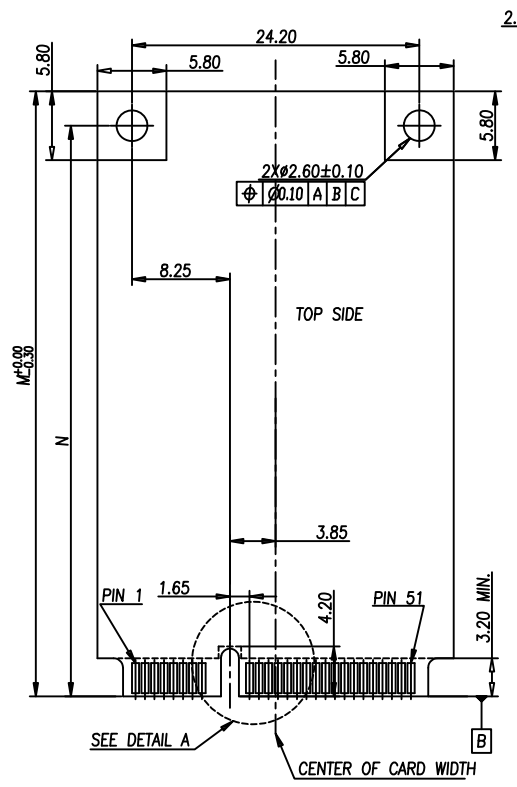


- NOTES:
- MATERIAL:  
HOUSING: THERMOPLASTIC, BLACK COLOR,  
FLAME RESISTANCE UL94-V0.  
CONTACTS: COPPER ALLOY, THICKNESS 0.20mm.  
SOLDER PEGS: COPPER ALLOY, THICKNESS 0.2mm.
  - MSL LEVEL:  
MSL(MOISTURE SENSITIVITY LEVELS)=1
  - FINISHED:  
CONTACTS: GOLD PLATING ON CONTACT AREA AND  
50~120u" MATTE TIN PLATING ON SOLDER AREA.  
30~120u" NICKEL UNDER-PLATING OVER ALL.  
SOLDER PEGS: 50~120u" MATTE TIN PLATING OVER 50~120u"  
NICKEL UNDER-PLATING OVER ALL.



GENERAL TOLERANCE		KINGCONN 皇海科技股份有限公司
X± 0.50	X*± 5°	
X± 0.30	X*± 2°	
.XX± 0.20	.XX*± 1°	名 稱(TITLE) MINI PCI EXPRESS H:6.8mm
單 位(UNIT) mm	料 號(PART NO.) 7MPCI-F0-0680	圖 號(DWG NO.) 7MPCI-F0-0680
審 核(APPROVAL)	核 對(CHECKED)	製 圖(DRAWN)
		比 例 SCALE 1:1
		張 數 SHEET 1/2
		製 改 REV A

更改 REV	變更內容 MODIFICATION
A	ECXXXX



DETAIL C  
SCALE 2:1

	M	N	P
FULL-MINI CARD	50.95	48.05	48.05
HALF-MINI CARD	26.8	23.9	23.9

GENERAL TOLERANCE		KINGCONN 皇海科技股份有限公司	
X ± 0.50	X* ± 5°	名 稱(TITLE) MINI PCI EXPRESS H:6.8mm	
.X ± 0.30	.X* ± 2°		
.XX ± 0.20	.XX* ± 1°		
單位(UNIT) mm	料 號(PART NO.) 7MPCI-F0-0680	圖 號(DWG NO.) 7MPCI-F0-0680	
審核(APPROVAL)	核 對(CHECKED)	製 圖(DRAWN)	註 釋 SCALE 1:1 PROJ.
			張 數 SHEET 2/2 更 改 REV A

